

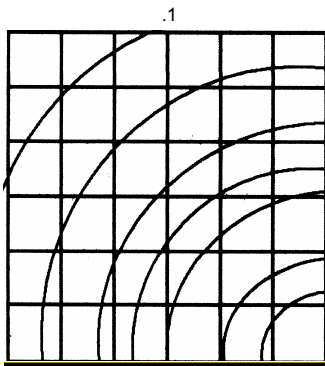
## Pathway Marking System

A Unique System of Bollards, Wall-Mount, Pole-Mounted Fixtures Using Patented Colored Rings Adds Sparkle To The Night

## The Cosmic Series



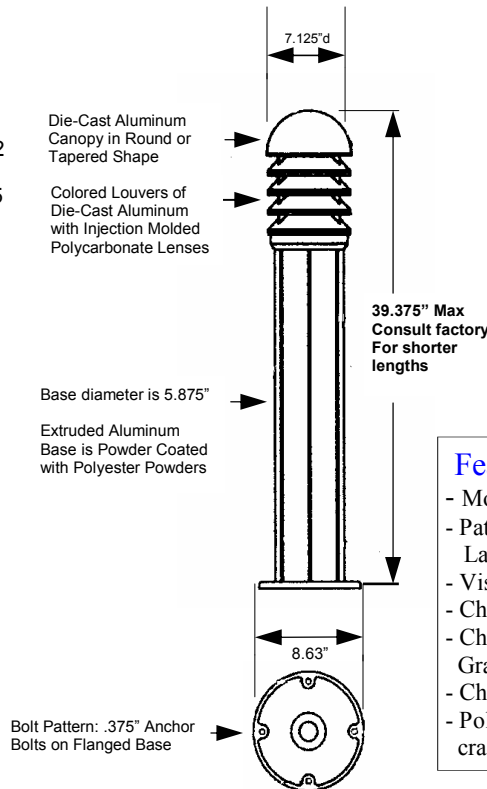
Pathway Marking System Bollards



Photometric Data

Isolux diagram shows a 100W metal halide lamp on a grid scale of 3 feet. Multiply by factors below for the values of other lamp types:

26W CFL	.18
32W CFL	.24
42W CFL	.36
50W MH	.39
70W MH	.71



### Residential/Commercial Applications:

- Resorts
- Theme Parks
- Patio/Pool Areas
- Streetscapes
- Fountain Areas
- Condo Complexes
- Portable Lighting for Special Events of Any Type

### Features:

- Modular multi-tier louvers.
- Pathway Marking System consists of Bollard, Post-Top Lantern and Wall-Light.
- Visually striking appearance from colored diffuser rings
- Choice of tapered, round or flat canopy .
- Choice of color for canopy, base, and louvers (Bronze, White, Gray or Black).
- Choice of Clear, Red, Blue, Green or Amber colored trim rings
- Polyester powder coating resistant to color fading, peeling or cracking.

- 5 Year warranty on all mechanical components
- 1 year warranty on electrical components
- Bollards available under a quick-ship program
- UL Listed, Suitable for Wet locations.



CB

CW

CL

### Cosmic Ordering Guide

Product Series	Canopy Shape	Canopy Color	# of Tiers	Tier Color	Diffuser Ring	Lamp Type	Lamp Wattage	Voltage
CB = Cosmic Bollard			3 4 5			INC CFL MH	150W Max 26, 32 or 42 W 39W -100W	120 277
CW = Cosmic Wall-Light	R = Round T = Tapered F = Flat	Bk Black Wh White Gy Gray Bz Bronze	3 4	Bk Black Wh White Gy Gray Bz Bronze	Cl Clear Rd Red Bl Blue Gr Green Yl Yellow	INC CFL MH	150W Max 26, 32 or 42 W 39W -100W	120 277
CL = Cosmic Lantern			6 7			INC CFL MH	150W Max 26, 32 or 42 W 39W -100W	120 277

Example: CB-R-Wh-4-Wh-Gr-CFL-26-120