



# FPLX

An ideal solution for uniform sign or facade illumination.



*“UNIQUE LIGHTING SOLUTIONS”*

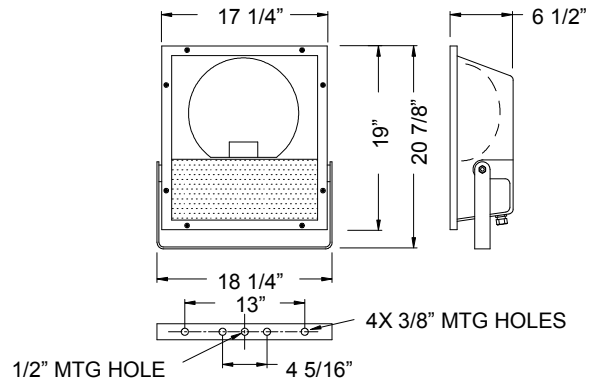
## ORDERING

|             |  |
|-------------|--|
| FPLX-(watt) | (watt) = specified Wattage             |
| -MH         | 150W Metal halide lamp                 |
| -HPS        | High Pressure Sodium                   |
| -CRI        | Color Rendering Index*                 |
| -CCT        | Color Correlated Temperature*          |
| -ELEC       | Electronic Ballast                     |
| -TF         | Cast Metal Tenon Fitter                |
| -CF         | Custom Finish*                         |
| -XXX        | Ballast Voltage*                       |
| -AGS        | Anti Glare Shield (internal)           |
| -CL         | Colored Lens*                          |
| -SL1        | Spread Lens (6°)                       |
| -SL2        | Spread Lens (12°)                      |
| -SL3        | Spread Lens (30°)                      |
| -SPG        | Special Glass Pattern*                 |
| -FLP        | Facade Lighting Package                |
| -SNXX       | Snoot in inches (note internal color)* |
| -DR         | Diffuse Reflector                      |

\* Consult Factory

**EXAMPLE: FPLX-250-HPS-22-2100-CWA-120-SL1-FLP-SN24**

## DIMENSIONS



## PHOTOMETRICS

Photometrics  
Coming Soon

## SPECIFICATIONS

**Housing**– High grade, cast aluminum with cast lens frame for complete seal against moisture.

**Lamps**– 50W to 250W HID lamp. Please contact factory for lamp selections not found on ordering selector.

**Lens**– Clear tempered glass lens. 6, 12, and 30 degree spread lens are optional, as well as frosted, patterned, or colored.

**Reflector**– High quality 3002 aluminum, hydro-formed for maximum lumen output while maintaining a high degree of uniformity. Diffuse Reflector is also available.

**Finish**– High quality, outdoor, polyester, powder coat.

**Electrical**– Integral Core and coil ballast. Electronic ballasts are also available.

**Mounting**– The mounting is a formed steel yoke. Provided with degree indicators for easy positioning.

**Weight**– Approximately 36 lbs (with no options).

**Labels**– NRTL Listed for wet locations.