



# HPW-VARIACOLOR

Interactive color changing DMX controlled accent light.



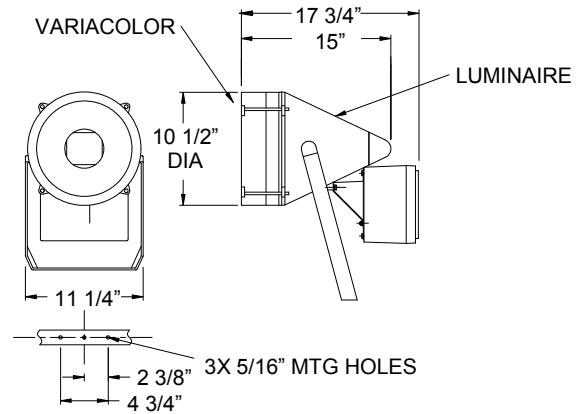
*“UNIQUE LIGHTING SOLUTIONS”*

## ORDERING

HPW-VAR-(watt)	(watt) = specified Wattage
-MH	150W Metal halide lamp
-CRI	Color Rendering Index*
-CCT	Correlated Color Temperature*
-CWA	Core and Coil Ballast
-ELEC	Electronic Ballast
-CB	Cast Metal Mounting Bracket
-TF	Cast Metal Tenon Fitter
-CF	Custom Finish*
-XXX	Ballast Voltage*
-SNXX	Snoot in inches (note internal color)*
-VS	Cutoff Visor
-RBB	Remote Ballast Box

\* Consult Factory

## DIMENSIONS



- Internal controller or interactive DMX controllers available.

- CMY system.

**EXAMPLE: HPW-VAR-150-MH-85-3500-CWA-CB-120**

## SPECIFICATIONS

**Housing**– High grade, cast aluminum with cast lens frame for complete seal against moisture.

**Lamps**– 150W HID. Contact factory for lamp selections not found on ordering selector.

**Lens**– Clear tempered glass lens.

**Color**– CMY filter system with stand alone programming, or DMX controllers available for even more color sequencing.

**Reflector**– High reflectance, spun aluminum for maximum control of beam.

**Finish**– High quality, outdoor, polyester, powder coat.

**Ballast**– High power factor, core and coil ballast can be either remote or integrally mounted on yoke. Electronic ballasts are also available.

**Mounting**- The mounting is a rigid, hot dipped, galvanized steel yoke. Provided with cup washers on each side of the fixture with degree indicators for easy positioning.

**Weight**– Approximately 28 lbs (with no options).

**Labels**– NRTL Listed for wet locations.