



# TIGER-AS

An ideal solution for uniform area lighting, with tool-less re-lamping and maintenance.



*“UNIQUE LIGHTING SOLUTIONS”*

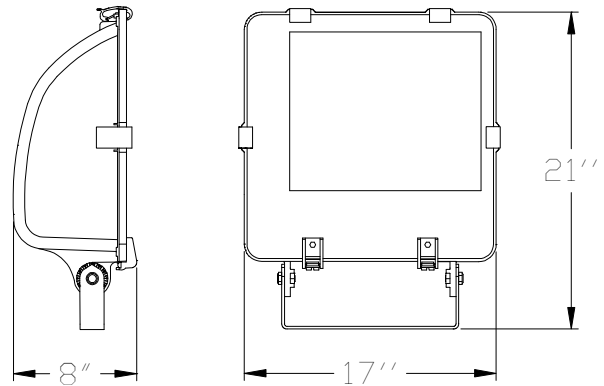
## ORDERING

YGAS-(watt)	(watt) = specified Wattage
-MH	150W-400W Metal halide lamp
-HPS	150W-400W High Pressure Sodium
-CRI	Color Rendering Index*
-CCT	Color Correlated Temperature*
-TF	Cast Metal Tenon Fitter
-CF	Custom Finish*
-XXX	Ballast Voltage*
-VS	Cutoff Visor
-LV	External Louver
-CL	Colored Lens*
-SPG	Special Glass Pattern*
-RBB	Remote Ballast Box

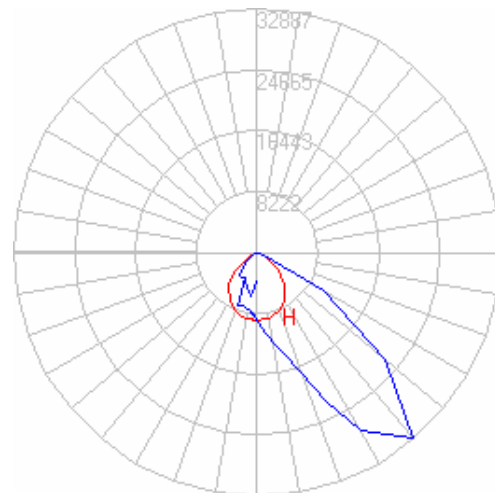
\* Consult Factory

**EXAMPLE: TGAS-400-HPS-22-2100-CWA-120-RBB**

## DIMENSIONS



## PHOTOMETRICS



MAX CANDELA = 32887 @ ±5H 40V  
 Total Efficiency = 70%  
 400W MH shown

## SPECIFICATIONS

**Housing**– High grade, cast aluminum with aluminum clamps for constant pressure of lens to gasket.

**Lamps**– 150W to 400W HID lamp. Please contact factory for lamp selections not found on ordering selector.

**Lens**– Clear tempered glass lens. Frosted, patterned, or colored are also available. Tool-less hinged clamps for ease of re-lamping and ballast maintenance.

**Reflector**– Diffuse hammertone, asymmetric reflector to maintain a high degree of uniformity.

**Finish**– High quality, outdoor, polyester, powder coat.

**Electrical**– Integral core and coil ballast.

**Mounting**– A formed steel yoke. Ideal for ground or pole mount options. Provided with degree indicators on each end of the yoke for easy positioning.

**Weight**– Approximately 30 lbs (with no options).

**Labels**– NRTL Listed for wet locations.



# TIGER-AS

An ideal solution for uniform area lighting, with tool-less re-lamping and maintenance.



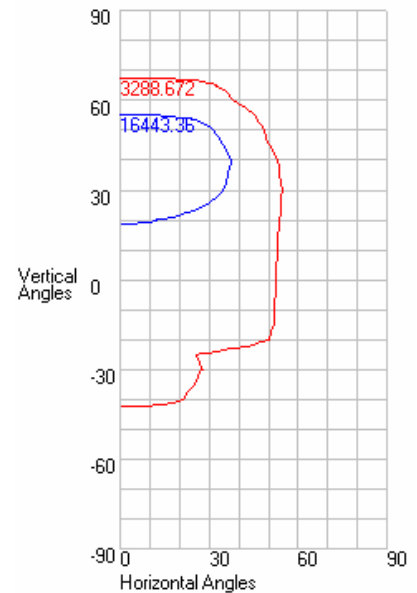
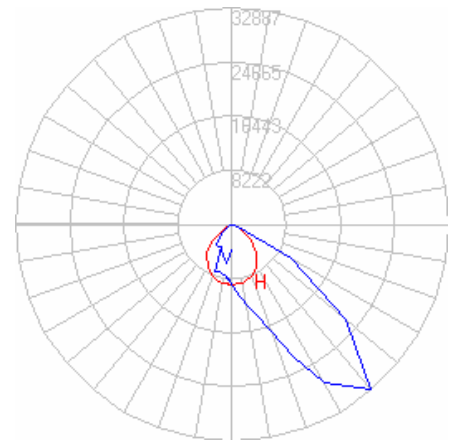
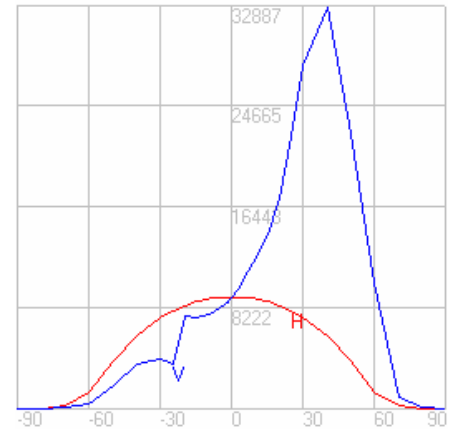
*“UNIQUE LIGHTING SOLUTIONS”*

## FILE INFORMATION

**Photometric Filename:** 3026427.IES

### Descriptive Information (From Photometric File)

IESNA91  
 [TEST] RLP182T  
 [MANUFAC] www.faeber.com  
 [LUMCAT] 3026427  
 [LUMINAIRE] TIGER/AS 400W HPS-T



## CHARACTERISTICS

IES NEMA Type	6 H x 6 V
Maximum Candela	32886.72
Maximum Candela Angle	5 H 40 V
Horizontal Beam Angle (50%)	75.3
Vertical Beam Angle (50%)	36.3
Horizontal Field Angle (10%)	105.9
Vertical Field Angle (10%)	109.8
Total Rated Lamp Lumens	48000
Beam Lumens	14615.72
Beam Efficiency	30.45%
Field Lumens	31209.73
Field Efficiency	65.02%
Spill Lumens	2360.11
Total Lumens	33569.84
Total Efficiency	69.94%

## LUMEN MULTIPLIERS

WATT	TYPE	MULT
150	MH	0.22
250	MH	0.44
400	MH	0.71
250	HPS	0.58
400	HPS	1.00