



# VBMF-MONACO

An ideal solution for uniform illumination.

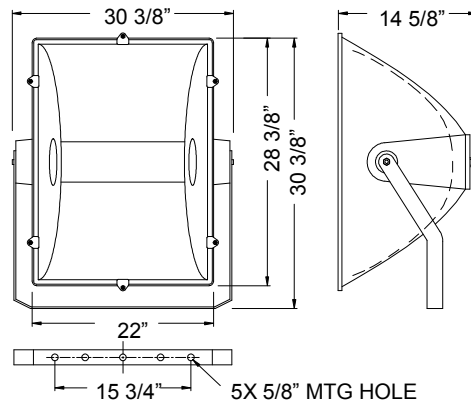


**“UNIQUE LIGHTING SOLUTIONS”**

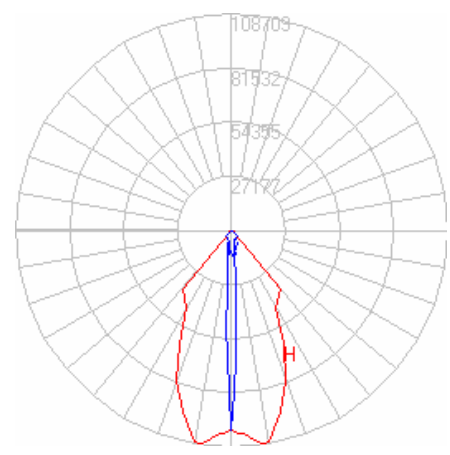
ORDERING	
VBMF-MONACO-(watt)	(watt) = specified Wattage
-MH	250W-400W or 1000W** MH lamp
-HPS	250W-400W or 1000W** HPS lamp
-CRI	Color Rendering Index*
-CCT	Color Correlated Temperature*
-TF	Cast Metal Tenon Fitter
-CF	Custom Finish*
-XXX	Ballast Voltage*
-AGS	Anti Glare Shield (internal)
-CL	Colored Lens*
-SPG	Special Glass Pattern*
-FLP	Facade Lighting Package
-SNXX	Snoot in inches (note internal color)*
-DLH	Dual Lampholders (Horizontal, end-to end)
-BLS	Bi-Level Switching
-DR	Diffuse Reflector
-RBB	Remote Ballast Box

\* Consult Factory    \*\* BT37 Only

### DIMENSIONS



### PHOTOMETRICS



MAX CANDELA = 108709 @ 9H 0V  
 Total Efficiency = 71%  
 2 Lamp, 400W, MH shown

**EXAMPLE: VBMF-MONACO-250-400-HPS-22-2100-120-BLS-RBB**

### SPECIFICATIONS

**Housing**– High grade, cast aluminum with cast lens frame for complete seal against moisture.

**Lamps**– One (1) 1000W BT37. One (1), two (2) lamp 250W to 400W HID lamps or any combination of two (2) lamp HID. Please contact factory for lamp selections not found on ordering selector.

**Lens**– Clear tempered glass lens. Frosted, patterned, or colored are also available.

**Reflector**– Highly specular aluminum reflector. Diffuse, hammer-tone, aluminum is also available.

**Finish**– High quality, outdoor, polyester, powder coat.

**Electrical**– Remote core and coil ballast.

**Mounting**– A robust formed steel yoke. Provided with degree indicators on the cupped washers on each end of the fixture for easy positioning.

**Weight**– Approximately 53 lbs (with no options).

**Labels**– NRTL Listed for wet locations.



# VBMF-MONACO

An ideal solution for uniform illumination.



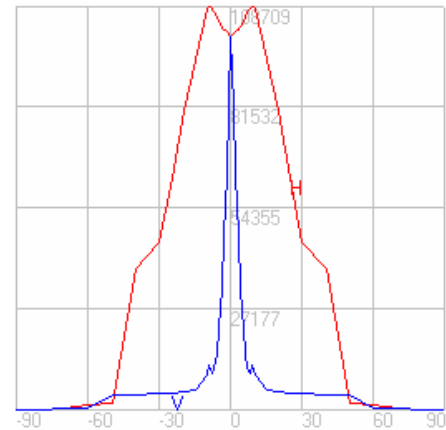
**“UNIQUE LIGHTING SOLUTIONS”**

## FILE INFORMATION

**Photometric Filename:** 1860030MT400.IES

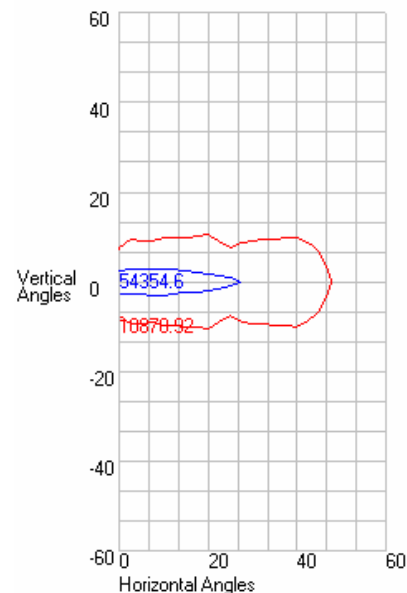
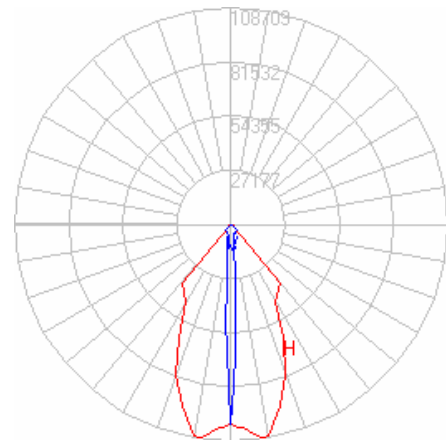
### Descriptive Information (From Photometric File)

IESNA91  
 [TEST] FLS0152 CNV  
 [MANUFAC] www.faeber.com  
 [LUMCAT] 1860030-MT400  
 [LUMINAIRE] MONACO/2C 2X400W MH-T



## CHARACTERISTICS

IES NEMA Type	5 H x 2 V
Maximum Candela	108709.2
Maximum Candela Angle	9 H 0 V
Horizontal Beam Angle (50%)	54.7
Vertical Beam Angle (50%)	5.7
Horizontal Field Angle (10%)	95.1
Vertical Field Angle (10%)	18.9
Total Rated Lamp Lumens	38000 (2 lamps)
Beam Lumens	5317.92
Beam Efficiency	13.99%
Field Lumens	14767.61
Field Efficiency	38.86%
Spill Lumens	12082.3
Total Lumens	26849.91
Total Efficiency	70.66%



## LUMEN MULTIPLIERS

WATT	TYPE	MULT
250	MH	0.63
400	MH	1.00
1000	MH	2.34

WATT	TYPE	MULT
250	HPS	0.82
400	HPS	1.41
1000	HPS	3.66